

Applicable
to
Single Point
Anchor

: MHA005

Distributor : Quality Safety, Unit 6, Pacific Park, Pacific Place,
P.O. Box 639, Wanganui, New Zealand.

Certification Body : SATRA Technology Centre Kettering, Northants, UK (Notified Body 0321)

Ongoing Assessment Body : SGS United Kingdom Ltd., Unit 202B, Worle Parkway, Weston-super-Mare,
BS22 6WA, UNITED KINGDOM. (Notified Body 0120)

This Anchor is classed as a Personnel Protective Equipment (PPE) by the European PPE Directive 89/686/EEC and have been shown to comply with this Directive through the Harmonized European Standard EN 795 : 2012, Type B.

CAREFULLY READ THESE INSTRUCTIONS BEFORE USING THIS BEAM ANCHOR TROLLEY

This Anchor is designed to minimise the risk of/provide protection against the danger of falling from heights. However, always remember that no item of PPE can provide full protection and care must always be taken while carrying out the risk relation activity.

PERFORMANCE AND LIMITATIONS OF USE

The Anchor has been tested in accordance with EN 795 : 2012, Type B and have achieved the following performance levels

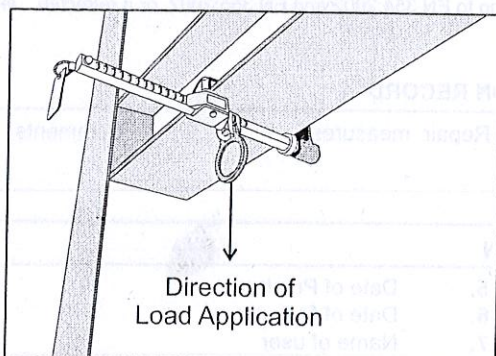
EN 795 : 2012, Type B	Result/Comment
General (Clause 4.1)	(PASS)
Static Strength (Clause 4.4.2.3)	Sustained a force of 12 kN for 3 Min. (PASS)
Dynamic Strength (Clause 4.4.2.2)	When tested with rigid steel mass of 100 kg, the test mass held after test with the remaining stable throughout. (PASS)
Corrosion Resistance (Clause 4.2.2.2)	No corrosion evident after 48 hours of salt spray testing (PASS)

INSTRUCTIONS FOR USAGE :

SA 08

Beam anchor is intended to be installed on flanges of beam from 90 mm to 340 mm width.

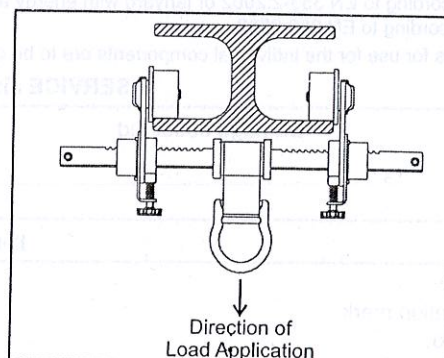
- Push the latch and adjust the movable jaw enough to allow the clamping jaws to fit over the flange of beam and release the latch to lock it's position.
- Use the D-ring as connecting point.



MHA005

Beam anchor Trolley is intended to be installed on flanges of beam from 80 mm to 250 mm width.

- Push the latch and adjust the movable jaw enough to allow the clamping jaws to fit over the flange of beam and release the latch to lock it's position.
- Use the D-ring as connecting point.



ADVICE & INFORMATION

1. It should be the personnel property of its user.
2. It should not be used in highly acid or basic environments.
3. The anchor has been tested to EN 795 : 2012, Type B and is appropriate only for single person use with an energy absorber as per EN 355:2002.
4. Ensure that the structure on to which the anchor is fitted is strong enough to withstand a load of 12 kN.
5. Ensure that the Anchor is installed directly above the user's head.
6. Ensure that the equipment is compatible with other items when assembled into a system.
7. It is essential to verify the free space required beneath the user at work place before each occasion of use so that in case of a fall there will be no collision with ground or other obstacle in the fall path.
8. It is essential for the safety of user that if the product is resold outside the original country of destination, the reseller shall provide instruction for use, for maintenance, for periodic examination and for repair in the language of the country in which product is to be used.

WARNING

1. Ensure the Medical condition of the user does not affect his safety in normal and emergency use.
2. The equipment shall only be used by a person trained and competent in its safe use.
3. A rescue plan shall be in place to deal with any emergencies that could arise during the work.
4. Do not make any alterations or additions to the equipment without the manufacturer's prior written consent and that any repair shall only be carried out by personnel trained by the manufacturer & duly authorized by him.
5. The equipment shall not be used outside its limitation, or for any purpose other than that for which it is intended.

INSPECTION	: Visually inspect the system before each use to ensure that it is in a serviceable condition and is operating correctly. If during inspection, doubts are raised about the safety of the system or a component, these should be replaced either by the manufacturer or a competent person.
COMPATIBILITY	: To optimise protection, in some instances it may be necessary to use the anchorage sling with suitable boots/gloves/helmet/ ear defenders. In this case, before carrying out the risk-related activity, consult your supplier to ensure that all your protective products are compatible and suitable for your application.
STORAGE AND TRANSPORT	: When not in use, store the anchor away from heavily acidic or basic environment. Never place heavy items on top of it. Also ensure that it is stored away from chemically hazardous environment preferably storage should be in dry environment.
REPAIR	: If the product becomes damaged, it will NOT provide the optimum level of protection, and therefore should be immediately either replaced or repaired. Never use the damaged product. Repair is permitted, provided that it is either done by the manufacturer or a competent repair centre or individual approved by the manufacturer.
CLEANING	: In case of minor soiling, wipe the anchor with cotton cloth or a soft brush. Do not use any abrasive material. For intensive cleaning wash the anchor in water at a temperature between 30°C to 60°C by using a neutral detergent (pH±7). The washing temperature should not exceed 60°C. Do not use acid or basic detergents.
WITHDRAWAL FROM USE	: If the system has been used to arrest a fall, it should be removed from service and returned to the manufacturer or a competent repair centre for servicing and re test.

MARKING

The Anchor is marked with :



- (i) The CE mark showing that the product meets the requirements of the PPE Directive 89/686/EEC
- (ii) Identification of the distributor
- (iii) Type or product code
- (iv) Product description
- (v) Batch No. for traceability
- (vi) Norm Reference.

Check Card

It is recommended that the anchor should be inspected and examined by an expert for any damages or failures if the need arises, but at least once a year. The observations should be recorded in the table below. In case such damages are observed, the anchor is to be replaced immediately.

The anchor shall only be used within a fall arrest system according to EN 363:1992 in combination with a guided-type fall arrester on a flexible anchor line according to EN 353-2:2002 or lanyard with energy absorber according to EN 354:2002 and EN 355:2002, or a retractable type fall arrester according to EN 360:2002.

The instructions for use for the individual components are to be observed.

SERVICE and INSPECTION RECORD

Date	Damage observed	Repair measures	Comments

IDENTIFICATION

1. Type	5. Date of Purchase
2. Identification mark	6. Date of first use
3. Batch No.	7. Name of user
4. Year of manufacture	8. Comments